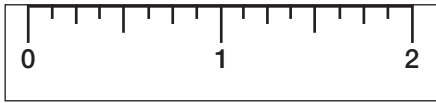
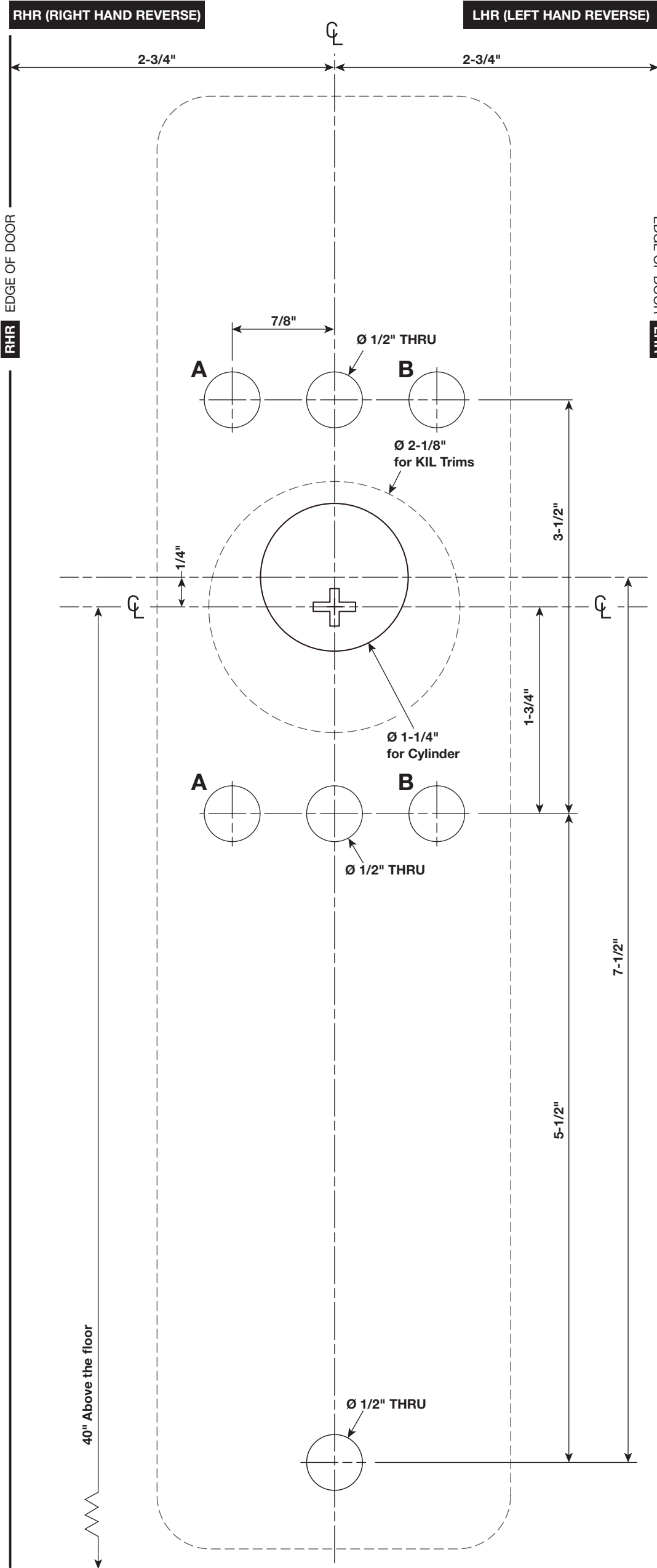


**STOREROOM / FUNCTION**

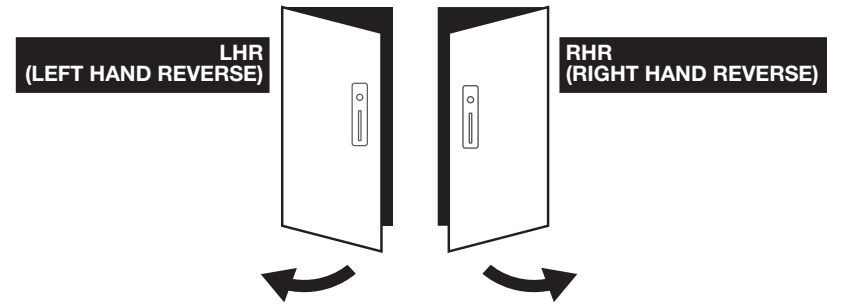


**WARNING: IF THIS RULER DOES NOT MEASURE EXACTLY, DO NOT USE THIS TEMPLATE.**

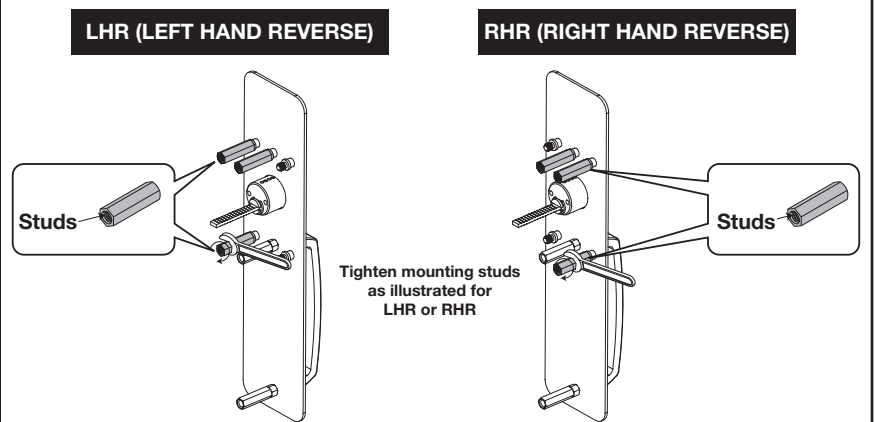


The BC40011 Pull Handle is only to be used with the BC40010 Rim Exit Device. The cylinder, collar, cylinder mounting plate and S8 cylinder mounting screws are included with BC40010.

**A. For all installations, determine the handing of the door.**



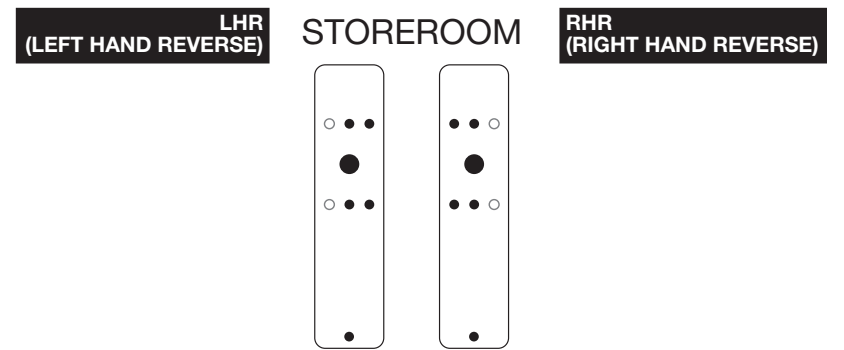
**B. Assemble the five threaded mounting studs to the threaded posts on the plate according to the door handing.**



**C. For new installations, tape the template to the outside face of the door, template edge against the outside edge of the door, with the centerline about 40" from the finished floor.**

For replacement installations, or doors with holes already prepared, align the template to the existing Ø1-1/4" cylinder hole, or the 2-1/8" door hardware hole (161 Door Prep).

**D. Mark the hole centers. Drill the holes according to the door handing. The Ø 1/2" thru holes accommodate the mounting studs, the Ø 1/2" blind holes are clearance for the threaded posts on the plate. Double check the component placement before drilling holes.**



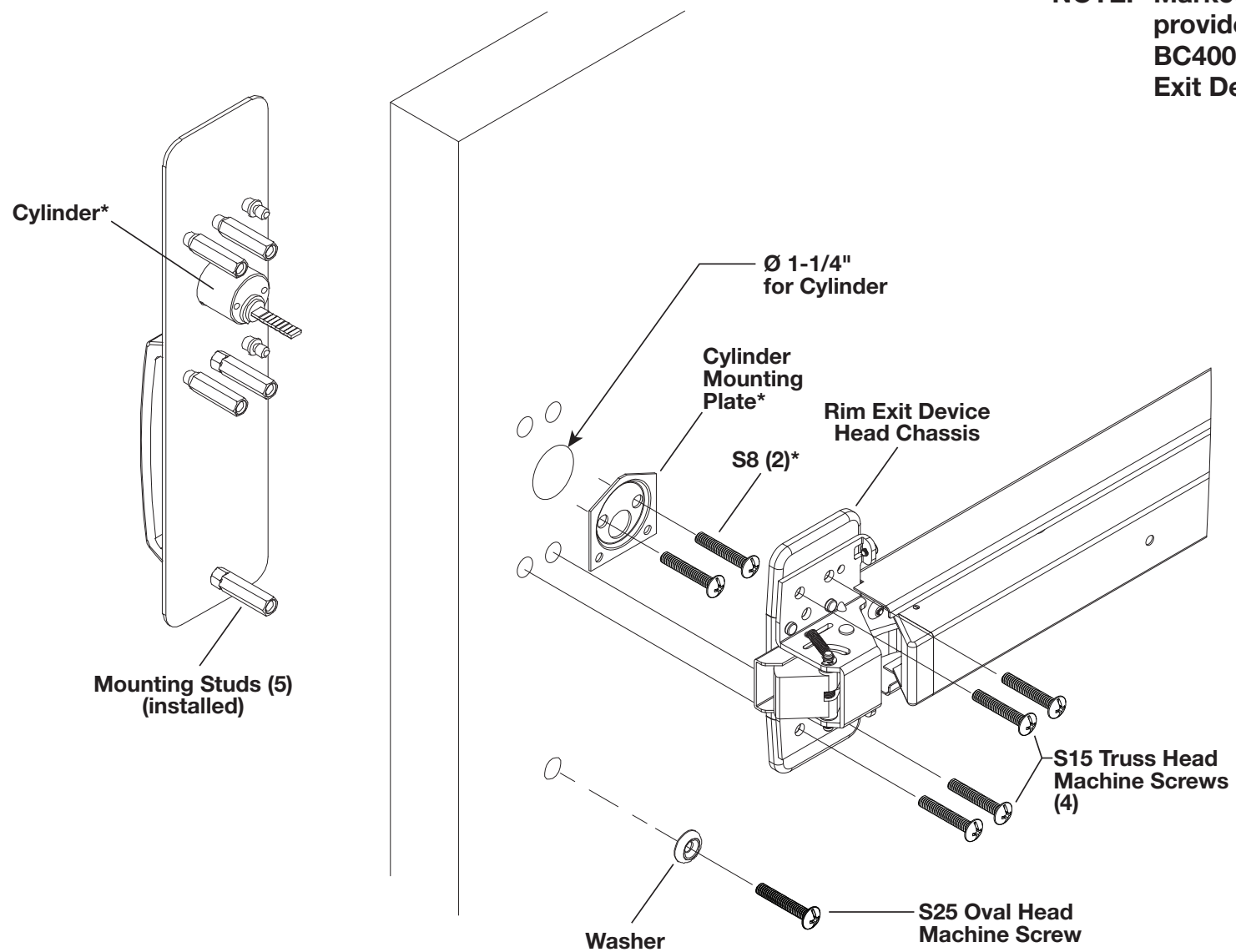
- THRU HOLES
- NON-THRU HOLES-see template requirement for wood door

**RHR: Drill Hole A Ø 1/2" THRU  
Drill Hole B Ø 1/2" X 3/4" Deep**

**LHR: Drill Hole A Ø 1/2" X 3/4" Deep  
Drill Hole B Ø 1/2" THRU**

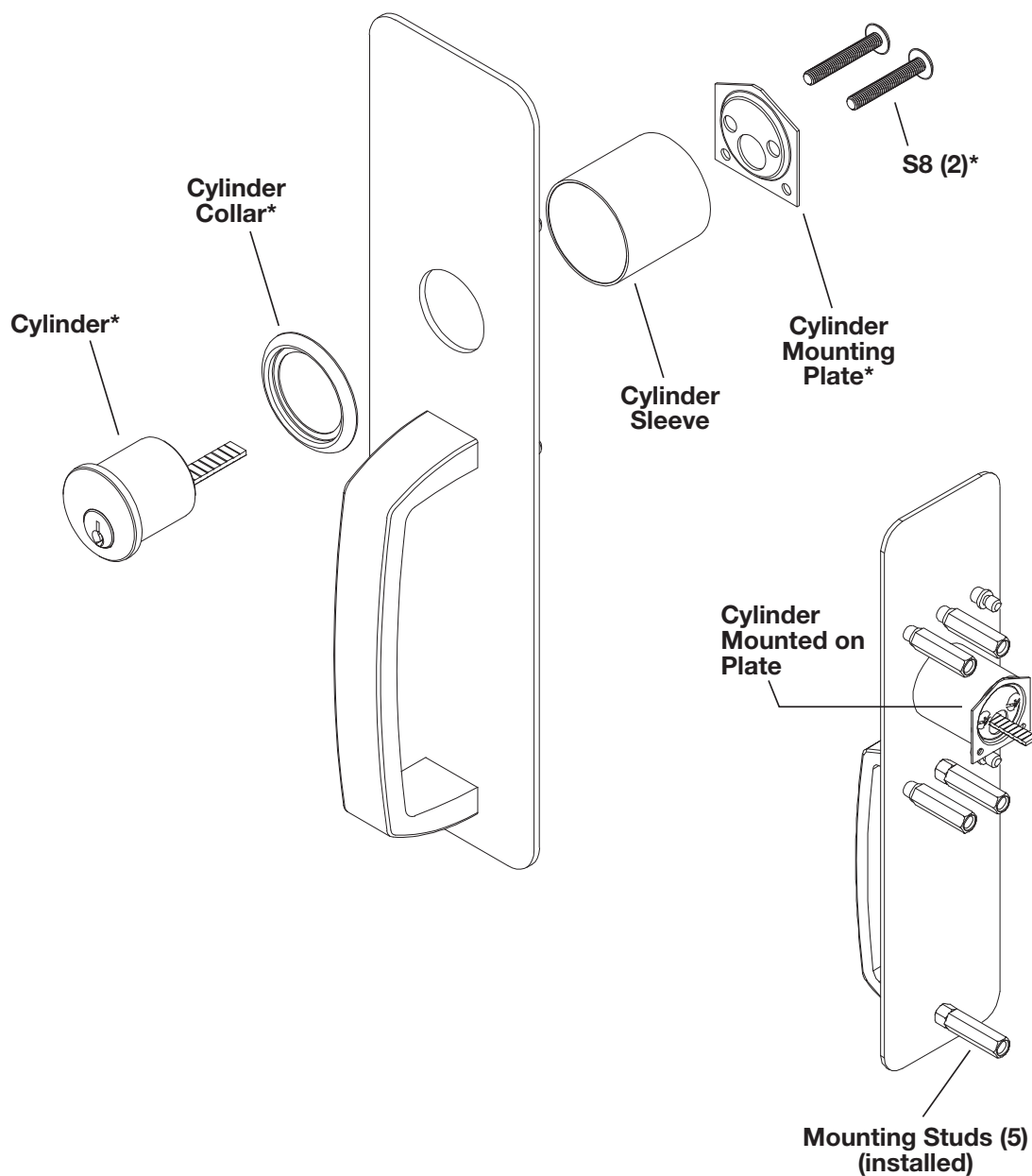
### E. Installing Pull Handle on a Door with a 1-1/4" Cylinder Hole

**\*NOTE:** Marked items are provided with the BC40010 Rim Exit Device.



### F. Installing Pull Handle on a Door with a 2-1/8" Hole (161 Prep)

First, assemble the Cylinder to the plate using the Cylinder Sleeve.



Then, assemble the Plate/Cylinder assembly to the door and rim exit device.

